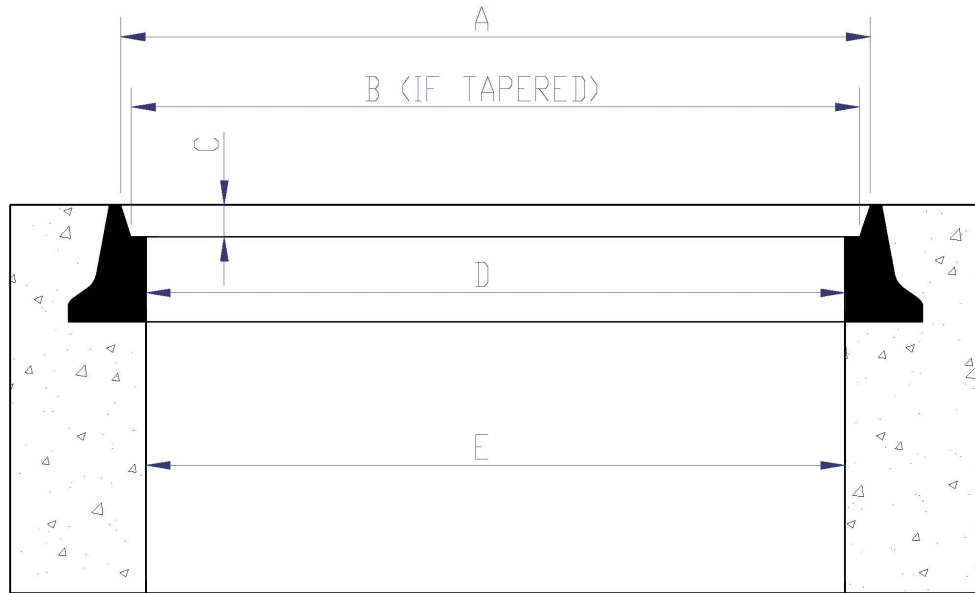
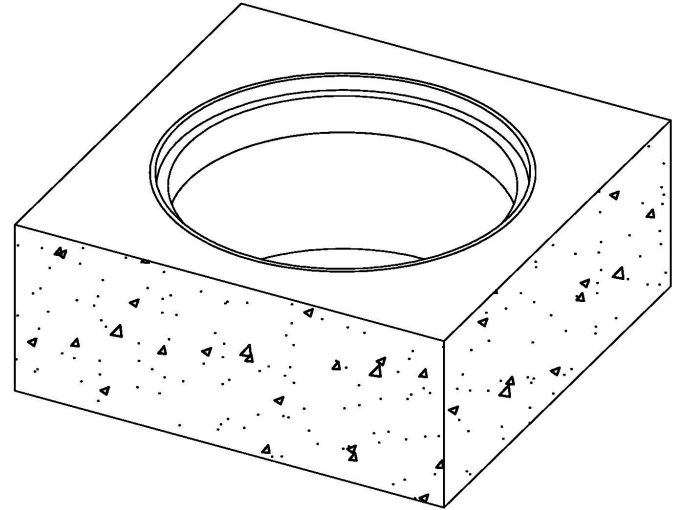
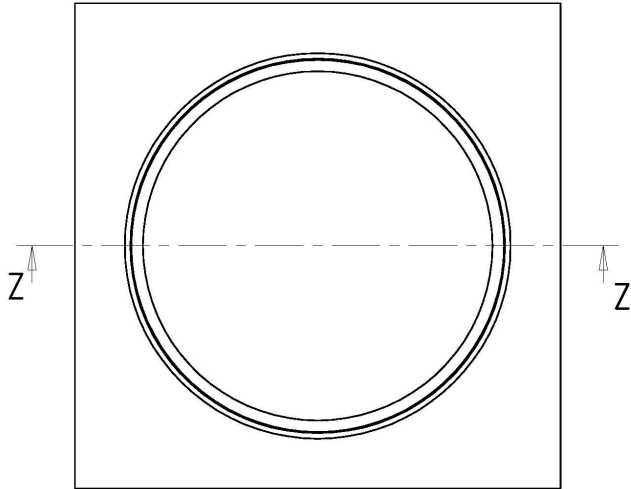




# PHOENIX IRON WORKS

Contact Carol Russell at (510) 465-9900

## MANHOLE FRAME MEASUREMENT SHEET



SECTION Z-Z

**NOTE: CONCRETE BY OTHERS**

MEASUREMENTS

A:	TRAFFIC: ( YES NO )	NAME:
B:	ADA: ( YES NO )	COMPANY NAME:
C:	BICYCLE PROOF: ( YES NO )	DATE:
D:	HIGH HEEL: ( YES NO )	
E(if different than D):	PARKWAY: ( YES NO )	